



### MF11256/1255 - FLAKE ICE MAKER



MF11256 ON B55

### Features

- Only 21" (533 mm) wide.
- Produces up to 1231 lbs (558kg) of ice per day.
- SystemSafe load monitoring system constantly checks workload on gearbox - shutting down system before a problem develops and preventing costly repairs.
- Water sensor eliminates low or no water failures and cannot be affected by adverse water conditions.
- Rugged stainless steel evaporator and auger ensures reliability.
- Industrial-grade roller bearings and heavy-duty gearbox provide years of trouble-free service.

### Options & Accessories

Ice Machine Model	WATER FILTERS		Inline System
	Manifold		
	System	Replacement	
MF11255	IFQ2	IOMQ (2)	n/a
MF11256			

### Ice Maker Warranty

Every Ice-O-Matic ice maker is backed by a warranty that provides both parts and labor coverage.

- Three years **Parts and Labor**.
- Five years **Parts** coverage on the compressor.

### Ice Form



FLAKED ICE

### Bin Chart Kits for Combining Wider Bins with Smaller Models

Kits	ICE STORAGE BINS									
	Model No. Capacity Width	B25 242 lbs (110 kg) 30 in (762 mm)	B40 344 lbs (156 kg) 30 in (762 mm)	B42 351 lbs (160 kg) 22 in (559 mm)	B55 510 lbs (232 kg) 30 in (762 mm)	B70-30 741 lbs (337 kg) 30 in (762 mm)	B90-30 1023 lbs (465 kg) 30 in (762 mm)	B100 854 lbs (388 kg) 48 in (1219 mm)	B120 1142 lbs (519 kg) 48 in (1219 mm)	B150 1447 lbs (658 kg) 60 in (1524 mm)
MF11255		KBT19		KBT24	KBT19	n/a		KBT23		n/a
MF11255 (2)	n/a				KBT22					
MF11256		KBT19		KBT24	KBT19			KBT23		
MF11256 (2)	n/a				KBT22					

\*See Ice-O-Matic Price List for Adapter Kits to combine ice makers with most available ice/beverage dispensers.

### MECHMAR (PTE) LTD

56 Kian Teck Road Singapore 628791 Tel: 6268 3048 Fax: 6261 4049  
E-mail: mechmar@singnet.com.sg Website: www.mechmar.com.sg



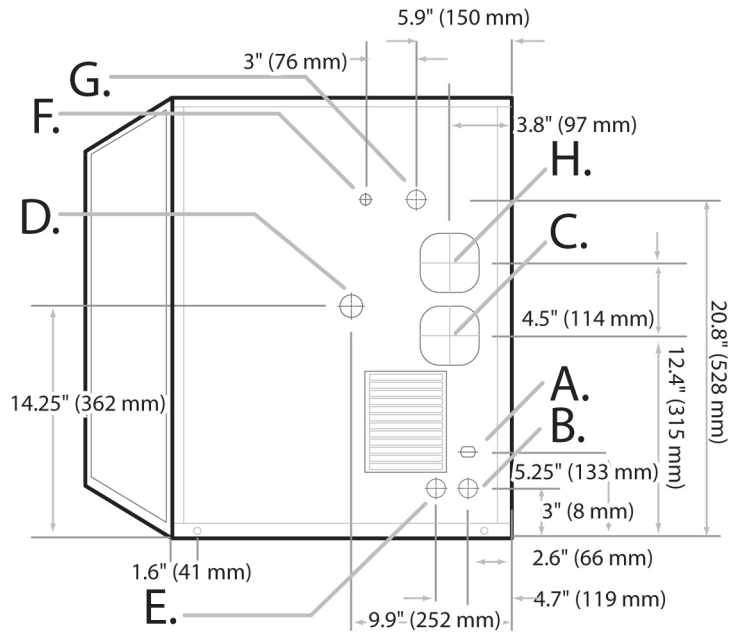
# MFI1256/1255 - FLAKE ICE MAKER

MFI1256/1255 FLAKE ICE MAKER

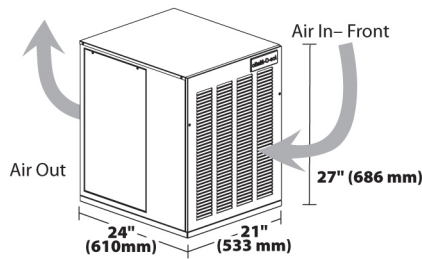
## Air Cooled

Please note: air-cooled units require 6" (152 mm) clearance for air intake and exhaust.

- A. Ice maker potable water in, 3/8" FPT.
- B. Drain, 3/4" FPT.
- C. Hole for electrical connection.
- D. Condenser inlet (water cooled only) 3/8" FPT.
- E. Condenser drain (water cooled only) 1/2" FPT.
- F. Liquid line, 3/8" male coupling for precharged line set (remote only).
- G. Discharge line, 1/2" male coupling for precharged line set (remote only).
- H. Remote condenser junction box (remote only).



Air, Water Cooled & Remote



60 Hz unit shown in drawing.

## Operating Requirements

	MINIMUM	MAXIMUM	
		60 Hz	50Hz
Ambient Temp. Range Air	50 °F (10 °C)	100 °F (38 °C)	110 °F (43 °C)
Water Temp.	40 °F (4.4 °C)		90 °F (32 °C)
Water Pressure	20 PSIG (1.4 BAR)	120 PSIG (8.3 BAR)	

## Dimensions

ALL MODELS	
W x D x H (in.)	21 x 24 x 27
W x D x H (mm)	533 x 610 x 686

## Specifications

Model Number	Cond. Unit	Ice Production per 24 hrs		Water Usage gallons per 100 lbs of ice @ 90°F air/70°F water		kWH Used per 100 lbs of ice @ 90°F air/70°F water	Voltage Characteristics	Min. Circuit Ampacity	Fuse Size	Approx. BTUs** per hour
		70°F air/50°F water lbs (kg)	90°F air/70°F water lbs (kg)	Potable	Condenser					
MFI1256A	Air	1149 (521)	845 (383)	12.0	-	3.4	208-230/60/1	11.8	15	9000
MFI1256W	Water	1137 (516)	959 (435)		70	2.7				
MFI1256R	Remote*	1054 (478)	867 (393)		-	3.7		15.3	20	
MFI1255A	Air	1260 (572)	900 (408)		-	3.25	230/50/1	13.4	20	
MFI1255W	Water	1230 (558)	1000 (454)		75	2.6		13.1	15	

\*Requires GRC 1061 Condenser.

\*\*BTUH is calculated to 0°F Evaporator, 100°F Condensing, and 33 PSIG. Value is estimated.

NOTES:

Number of Wires: 3 (including ground)  
 Approx. Shipping Weight lbs (kg): MFI1255A 215 (98) • MFI1255W 230 (104) • MFI1256A 215 (98) • MFI1256W 210 (95) • MFI1256R 230 (104)  
 Refrigerant Type: R404A

## MECHMAR (PTE) LTD

56 Kian Teck Road Singapore 628791 Tel: 6268 3048 Fax: 6261 4049  
 E-mail: mechmar@singnet.com.sg Website: www.mechmar.com.sg