

### MFIO800/O805 - FLAKE ICE MAKER



MFIO800 ON B55

### Features

- Only 21" (533 mm) wide.
- Produces up to 940 lbs (426 kg) of ice per day.
- SystemSafe load monitoring system constantly checks workload on gearbox – shutting down system before a problem develops and preventing costly repairs.
- Water sensor eliminates low or no water failures and cannot be affected by adverse water conditions.
- Rugged stainless steel evaporator and auger ensures reliability.
- Industrial-grade roller bearings and heavy-duty gearbox provide years of trouble-free service.

MFIO800/O805 FLAKE ICE MAKER

### Options & Accessories

| WATER FILTERS     |          |             |               |
|-------------------|----------|-------------|---------------|
| Ice Machine Model | Manifold |             | Inline        |
|                   | System   | Replacement | System        |
| MFIO800           | IFQ1     | IOMQ (1)    | IFI4C / IFI8C |

### Ice Maker Warranty

Every Ice-O-Matic ice maker is backed by a warranty that provides both parts and labor coverage.

- Three years **Parts** and **Labor**.
- Five years **Parts** coverage on the compressor.

### Ice Form



FLAKED ICE

### Bin Chart Kits for Combining Wider Bins with Smaller Models

| ICE STORAGE BINS |                  |                  |                  |                  |                  |                   |                  |                   |                   |                   |  |
|------------------|------------------|------------------|------------------|------------------|------------------|-------------------|------------------|-------------------|-------------------|-------------------|--|
| Model No.        | B25              | B40              | B42              | B55              | B70-30           | B90-30            | B100             | B120              | B150              | B170              |  |
| Capacity         | 242 lbs (110 kg) | 344 lbs (156 kg) | 351 lbs (160 kg) | 510 lbs (232 kg) | 741 lbs (337 kg) | 1023 lbs (465 kg) | 854 lbs (388 kg) | 1142 lbs (519 kg) | 1447 lbs (658 kg) | 1807 lbs (821 kg) |  |
| Width            | 30 in (762 mm)   | 30 in (762 mm)   | 22 in (559 mm)   | 30 in (762 mm)   | 30 in (762 mm)   | 30 in (762 mm)    | 48 in (1219 mm)  | 48 in (1219 mm)   | 60 in (1524 mm)   | 60 in (1524 mm)   |  |
| Kits             | KBT19            |                  | KBT24            | KBT19            | n/a              |                   | KBT23            |                   | n/a               |                   |  |
|                  | n/a              |                  |                  | n/a              |                  |                   |                  | KBT22             |                   |                   |  |

\*See Ice-O-Matic Price List for Adapter Kits to combine ice makers with most available ice/beverage dispensers.

### MECHMAR (PTE) LTD

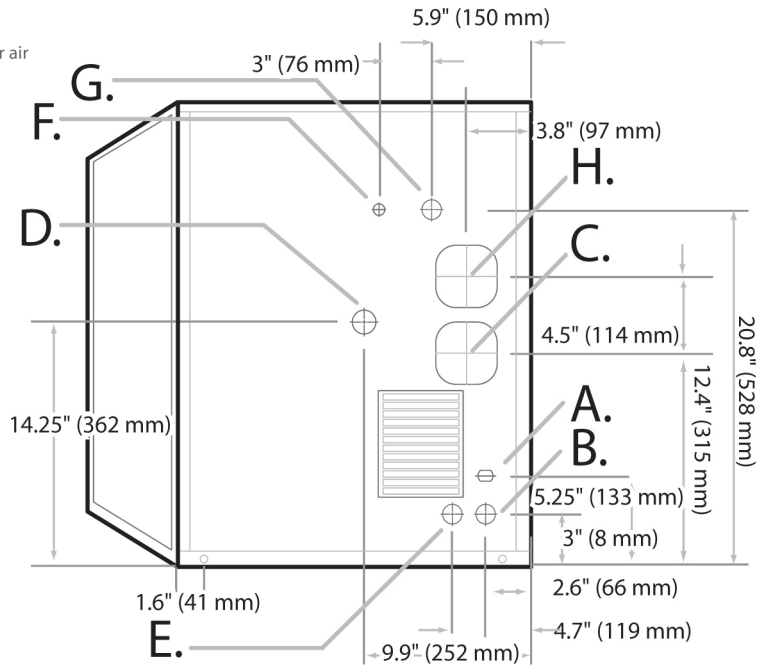
56 Kian Teck Road Singapore 628791 Tel: 6268 3048 Fax: 6261 4049  
 E-mail: mechmar@singnet.com.sg Website: www.mechmar.com.sg

### MFIO800/O805 - FLAKE ICE MAKER

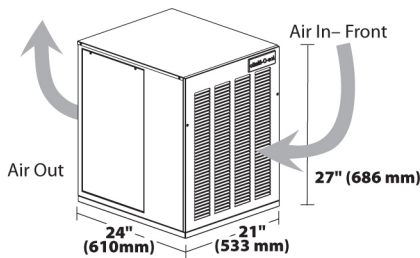
#### Air Cooled

Please note: air-cooled units require 6" (152 mm) clearance for air intake and exhaust.

- A. Ice maker potable water in, 3/8" FPT.
- B. Drain, 3/4" FPT.
- C. Hole for electrical connection.
- D. Condenser inlet (water cooled only) 3/8" FPT.
- E. Condenser drain (water cooled only) 1/2" FPT.
- F. Liquid line, 3/8" male coupling for precharged line set (remote only).
- G. Discharge line, 1/2" male coupling for precharged line set (remote only).
- H. Remote condenser junction box (remote only).



Air, Water Cooled & Remote



60 Hz unit shown in drawing.

MFIO800/O805 FLAKE ICE MAKER

#### Operating Requirements

|                         | MINIMUM           | MAXIMUM            |                |
|-------------------------|-------------------|--------------------|----------------|
|                         |                   | 60 Hz              | 50Hz           |
| Ambient Temp. Range Air | 50 °F (10 °C)     | 100 °F (38 °C)     | 110 °F (43 °C) |
| Water Temp.             | 40 °F (4.4 °C)    |                    | 90 °F (32 °C)  |
| Water Pressure          | 20 PSIG (1.4 BAR) | 120 PSIG (8.3 BAR) |                |

#### Dimensions

| ALL MODELS      |                 |
|-----------------|-----------------|
| W x D x H (in.) | 21 x 24 x 27    |
| W x D x H (mm)  | 533 x 610 x 686 |

#### Specifications

| Model Number | Cond. Unit | Ice Production per 24 hrs    |                              | Water Usage gallons per 100 lbs of Ice 90°F air/70°F water |           | kWH Used per 100 lbs of ice @ 90°F air/70°F water | Voltage Characteristics | Min. Circuit Ampacity | Fuse Size | Approx. BTUs** per hour |
|--------------|------------|------------------------------|------------------------------|--|-----------|---|-------------------------|-----------------------|-----------|-------------------------|
|              |            | 70°F air/50°F water lbs (kg) | 90°F air/70°F water lbs (kg) | Potable  | Condenser |   |                         |                       |           |                         |
| MFIO800A     | Air        | 900 (408)                    | 665 (302)                    | 12.0 (45.4)  | -         | 3.8   | 115/60/1                | 21.0                  | 30        | 7,400                   |
| MFIO800W     | Water      | 940 (426)                    | 740 (336)                    | 12.0 (45.4)  | 100       | 3.0   |                         | 19.5                  |           | 4,400                   |
| MFIO800R     | Remote*    | 925 (420)                    | 710 (322)                    | 12.0 (45.4)  | -         | 4.4   |                         | 23.5                  |           | 5,600                   |
| MFIO805A     | Air        | 735 (333)                    | 540 (245)                    | 12.0 (45.4)  | -         | 3.8   | 230/50/1                | 10.1                  | 15        | 7,400                   |
| MFIO805W     | Water      | 737 (334)                    | 604 (274)                    | 12.0 (45.4)  | 125       | 3.25  | 230/50/1                | 9.5                   |           | 4,400                   |

\*Requires GRC 1001 Remote Condenser \*\*BTUH is calculated to 0°F Evaporator, 100°F Condensing, and 33 PSIG.

#### NOTES:

Number of Wires: 3 (including ground)  
 Approx. Shipping Weight lbs (kg): MFIO800A 205 (93) • MFIO800W 200 (91 kg) • MFIO800R 220 (100 kg) • MFIO805A 205 (93 kg) • MFIO805W 200 (91 kg)  
 Refrigerant Type: R404A

### MECHMAR (PTE) LTD

56 Kian Teck Road Singapore 628791 Tel: 6268 3048 Fax: 6261 4049  
 E-mail: mechmar@singnet.com.sg Website: www.mechmar.com.sg