

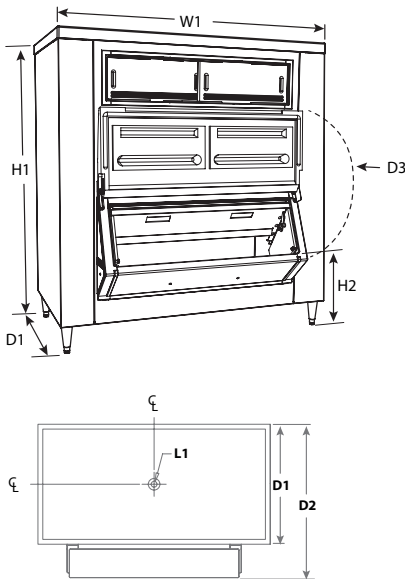


B1000-48

Features

- Application storage capacity from 680 lbs (308 kg) to 1660 lbs (753 kg).
- 31" deep for use where space is at a premium.
- Durable all stainless steel construction.
- First-in, first-out ice management for fresher ice.
- Corrosion-resistant poly bin liner.
- Heavy duty "stay-open" door for easy one hand access.
- Ice shield controls flow and reduces spills.

UPRIGHT STORAGE BINS



UPRIGHT BIN SPECIFICATIONS	
Maximum Bin Capacity	see model table below
W1 Width	see model table below
D1 Depth	see model table below
D2 Depth with lower door assembly (easily removed for installation access)	add 8.00" (20.32 cm) to D1
D3 Depth with door fully extended	add 18.50" (47.0 cm) to D1
H1 Height (adjustable)	see model table below
H2 Bin sill height	19.00" (48.3 cm)
Required door access	see model table below
L1 Drain Ice compatibility	1" FPT, center of bin bottom
Shipping weight	see model table below
NOTE: For indoor use only	

Model	Maximum Bin Capacity lb (kg)	Cubic Volume cu ft (m)	Width - W1 in (mm)	Depth - D1 in (mm)	Height - H1 in (mm)	Required Door Access in (mm)	Approximate Ship Weight lb (kg)
B700-30	680 (308)	21.7 (0.61)	30 (762)	31 (787)	60 (1524)	31 (787)	212 (96)
B1000-48	1000 (454)	31.9 (0.90)	48 (1219)	31 (787)	56 (1424)	32 (813)	268 (122)
B1300-48	1320 (599)	41.9 (1.19)	48 (1219)	31 (787)	65 (1651)	32 (813)	270 (123)
B1325-60	1325 (601)	42.0 (1.19)	60 (1524)	31 (787)	56 (1424)	32 (813)	320 (146)
B1600-60	1660 (753)	52.8 (1.50)	60 (1524)	31 (787)	65 (1651)	32 (813)	340 (154)

MECHMAR (PTE) LTD

56 Kian Teck Road Singapore 628791 Tel: 6268 3048 Fax: 6261 4049
E-mail: mechmar@singnet.com.sg Website: www.mechmar.com.sg



Single Ice Machine Configuration

Bin Model No.	Style	Application Bin Storage lbs (kgs)	Approximate Shipping Weight lbs (kgs)	ICE Series Cube Makers			Nugget Ice Makers	Flake Ice Machine	
				22" (559 mm) wide	30" (762 mm) wide	48" (1,219 mm) wide	21" (533 mm) wide	21" (533 mm) wide	42" (1,067 mm) wide
B700-30	Upright	680 (308)	212 (96)	△△	△△	N/A	△△**	△△**	N/A
B1000-48	Upright	1000 (454)	268 (122)	△△	△△	△△	△△**	△△**	△△**
B1300-48	Upright	1320 (599)	270 (123)	△△	△△	△△	△△**	△△**	△△**
B1325-60	Upright	1325 (601)	320 (146)	△△	△△	△△	△△**	△△**	△△**
B1600-60	Upright	1660 (753)	340 (154)	△△	△△	△△	△△**	△△**	△△**

△△ Kit not required.
 △△** Ice clumping issues may arise.
 * Rotocast finish
 ** ICE 1506 is compatible with B700-30, B1000-48, B1300-48, B1325-60 & B1600-60.
 N/A Not Applicable

Side by Side Ice Machine Configurations

There are times when it is desirable to install 2 ice machines side by side on a bin. The reasons may range from gaining maximum output to creating redundancy. Ice-O-Matic's new upright bins accommodate the most popular combinations with ease. The following table will help you create the system you need in a safe and cost effective manner.

Bin Model No.	Style	Application Bin Storage lbs (kgs)	Approximate Shipping Weight lbs (kgs)	ICE Series Cube Makers			Nugget Ice Makers	Flake Ice Machine	
				Two 22" (559 mm) wide	Two 30" (762 mm) wide	Two 48" (1,219 mm) wide	Two 21" (533 mm) wide	Two 21" (533 mm) wide	Two 42" (1,067 mm) wide
B700-30	Upright	680 (308)	212 (96)	N/A	N/A	N/A	N/A	N/A	N/A
B1000-48	Upright	1000 (454)	268 (122)	O	N/A	N/A	O*	O*	N/A
B1300-48	Upright	1320 (599)	270 (123)	O	N/A	N/A	O*	O*	N/A
B1325-60	Upright	1325 (601)	320 (146)	△△	N/A	N/A	O*	O*	N/A
B1600-60	Upright	1660 (753)	340 (154)	△△	N/A	N/A	O*	O*	N/A

O Must use remote or water cooled model only
 △△ Kit not required.
 O* Must use remote or water cooled model only; ice clumping issues may arise.
 △△** Ice clumping issues may arise.
 * Rotocast finish
 N/A Not Applicable

Bin Accessories

Ice-O-Matic Part Number	Description
1011517-22	Plastic ice shovel
1011517-23	Hanging bracket for ice shovel
1011517-24	46.5" Plastic paddle
1051517-29	Hanging bracket for ice paddle
9051127-01	82 Ounce ice scoop