

GB3160 / GB3500 / GB535 / GB540 GAS BOOSTER



GB 3160/3500/535/540 Gas Booster features:

- Provides pressure lift where gas supply pressure is lower than required.
- Designed to BS8487

Gas Boosters are available for:-

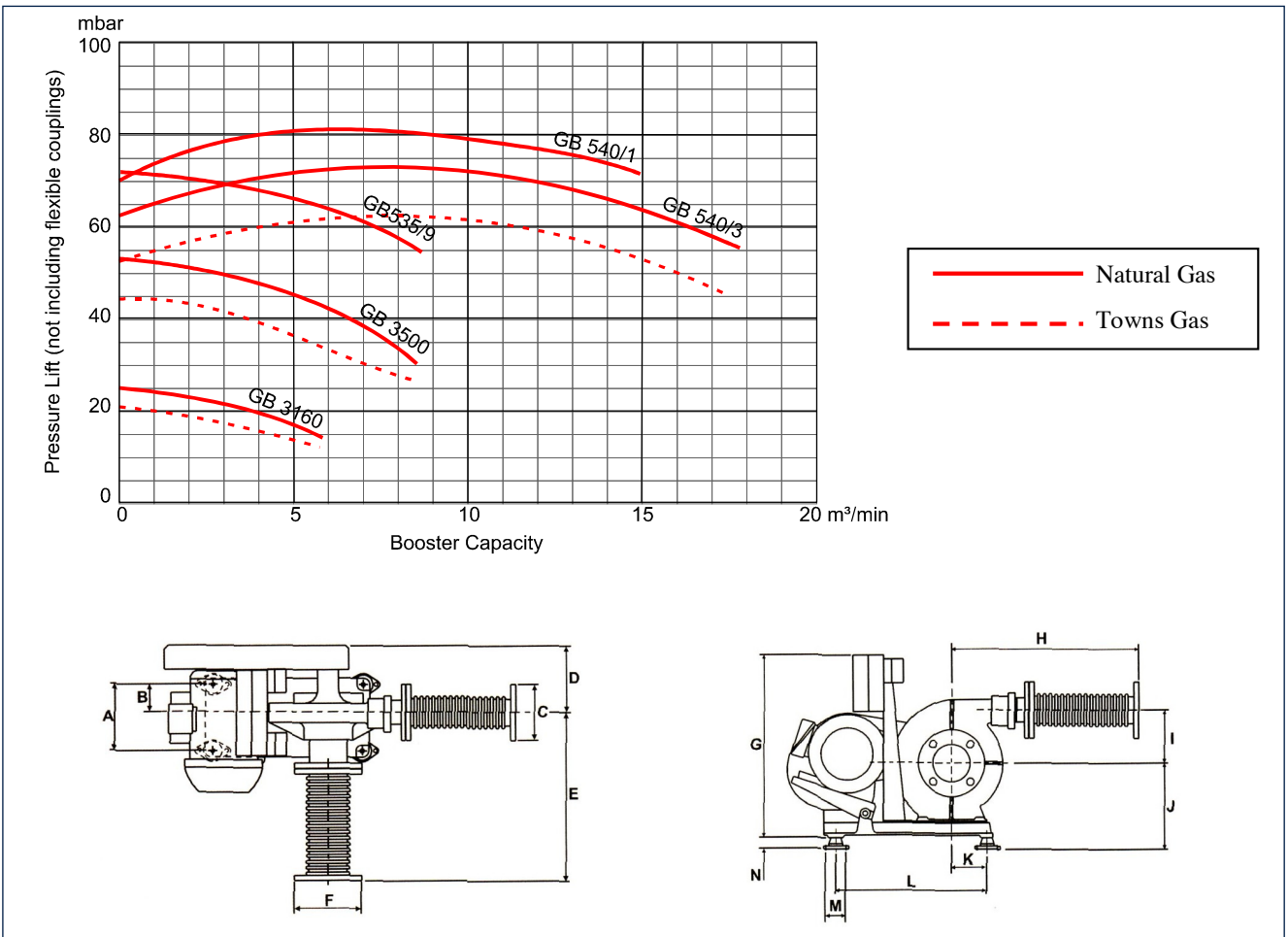
- Single booster/burner operation
- Single booster/multi-burner operation (max 4 burners)
- Automatic twin duty standby operation (max 4 burners)
- Suitable for natural and manufactured gas
- Complete with anti-vibration kit
- Optional outlet gas pressure switch on single boosters
- Optional speed ramp up on start
- Optional speed control using inverter and pressure transducer



For more information on all Mechmar products
please visit www.mechmar.com.sg

MECHMAR®

Type		GB3160	GB3500	GB5350	GB540/1-3	
Motor Rating	kW	0.75	0.75	1.5	2.2	4
Motor	V/Ph/Hz	230/1/50	400/3/50	400/3/50	400/3/50	400/3/50
Start Current		40.0	11.0	18.0	25.0	45.0
Run Current		5.0	2.0	3.2	4.0	8.5
Noise @ 1m	dB(A)	69	69	76	82	84
Weight	kg	34	34	37	40	71
Packing		Cardboard Box	Cardboard Box	Cardboard Box	Wooden Box	Wooden Box
Dimensions	L x W x H (cm)	60 x 40 x 71	60 x 40 x 71	60 x 40 x 71	TBC	TBC



Burner	A	B	C	D	E	F	G	H	I	J	K	L	M	N
GB3160	90	45	2" Table E	175	352	3" Table E	665	455	130	265	115	430	73	37
GB3500	90	45	2" Table E	175	352	3" Table E	665	455	130	265	115	430	73	37
GB535	143	80	DN50	168	401	DN80	700	480	127	215	80	378	73	37
GB540	184	80	DN 80	206	515	DN100	700	537	127	239	80	419	73	37

MECHMAR (PTE) LTD
 56 Kian Teck Road Singapore 628791
 Tel: 6268 3048 Fax: 6261 4049
 E-mail: mechmar@singnet.com.sg
 Website: www.mechmar.com.sg

