

Steam, Water, Electric Or Other Primaries

- ✓ *Design TO ASME & BS Codes*
- ✓ *Direct & Indirect Heating*
- ✓ *Thermal Storage Vessels*
- ✓ *Buffer Tanks*
- ✓ *Pressure Vessel Are (DOSH) Approved*

Recycled Energy:



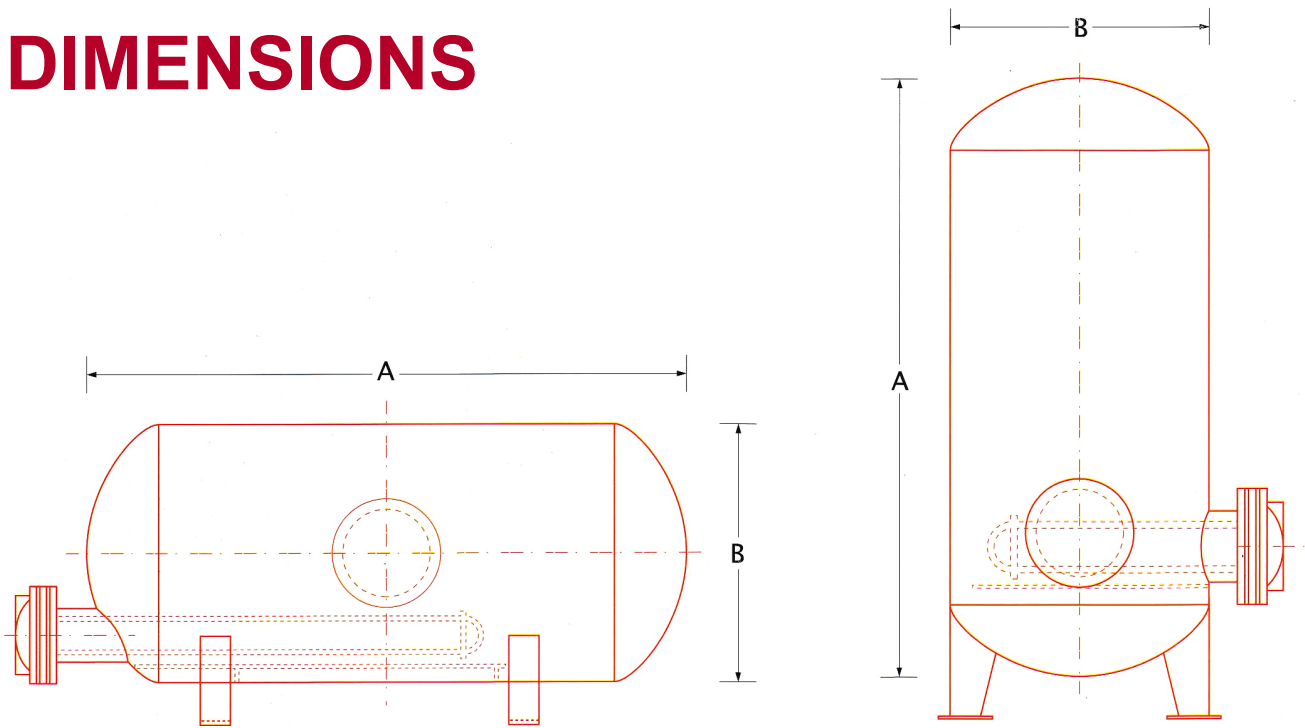
MECHMAR[®]
Exceeding Expectations

WELLMECH

STORAGE CALORIFIERS



DIMENSIONS



CAPACITY LITRES	DIMENSIONS mm/ins			
	A		B	
440	1800	71	600	24
550	1700	67	675	27
700	1750	69	750	30
800	1950	77	750	30
900	2000	79	800	32
1000	1950	77	850	33
1200	2100	83	900	36
1350	2350	93	900	36
1500	1950	77	1050	42
1800	2300	91	1050	42
2000	2500	98	1050	42
2300	2400	94	1150	45
2500	2450	96	1200	48
3000	2900	114	1200	48
3500	2700	106	1350	54
4000	3050	120	1350	54
4500	3400	134	1350	54
5000	3200	126	1450	57
6000	3800	150	1450	57
7000	3300	130	1680	66
8000	3700	146	1680	66
9000	4200	165	1680	66
10000	4600	181	1680	66
12500	5000	197	1830	72
15000	6000	236	1830	72

CONNECTIONS YOU MAY REQUIRE

Number of connection, size & orientation to your requirement.

- Primary Flow/Steam
- Primary Return/Condensate
- Secondary Flow
- Secondary Return
- Cold Feed
- Thermostat
- Drain
- Thermometer
- Pressure Gauge
- Safety Valve
- Bursting Disc
- Anti Vacuum Valve
- Manhole
- Electric Heater

For Other Dimensions & Capacity, Please Contact Us.

SALES OFFICE:



MECHMAR (PTE) LTD

56, Kian Teck Road, Singapore 628791
 Tel: +65 6268 3048 Fax: +65 6261 4049
 Email: mechmar@singnet.com.sg
 www.mechmar.com.sg