



# HISUO90/UO96/UO95 - SELF CONTAINED CUBE ICE MAKER



**Ice-O-Matic**  
Ice. Pure and Simple



HISUO90

With its horizontal evaporator, the HIS line of ice machines provides crystal clear ice every time. And with its compact design the HIS ice machine is sized to fit most anywhere and yet stylish enough to show off to your customers.

## Features

- Produces up to 100 lbs (45.4 kg) of ice per day
- Stores up to 51 lbs (23.1 kg) of ice
- Elegant euro styling
- Space saving design
- Easy open, self-storing bin door
- Large bin opening for easy access to ice
- Simple control panel for easy adjustments
- Low profile 32 in. (81 cm) installation with available ADA compliant kit
- Front air intake & discharge for undercounter installation
- Easy electrical connections
- Ice scoop included
- Complies with AHRI 810-07

## Options & Accessories

Model	Description
KADA-20	ADA floor mount kit for 20" HIS self-contained ice machine

## Ice Maker Warranty

Every Ice-O-Matic ice maker is backed by a warranty that provides both parts and labor coverage.

- Three years **Parts and Labor**.

## Ice Form



CUBE

FULL CUBE DIMENSIONS	
W x D x H (in.)	7/8 x 7/8 x 7/8
W x D x H (mm)	22 x 22 x 22

## Space-Saving Solutions

- Front air discharge design for compact spaces.
- Low profile design for perfect under counter fit.
- Stores up to 51 lbs (23.1 kg) of ice.
- ADA adaptable.

## MECHMAR (PTE) LTD

56 Kian Teck Road Singapore 628791 Tel: 6268 3048 Fax: 6261 4049  
E-mail: mechmar@singnet.com.sg Website: www.mechmar.com.sg



HISUO90/UO96/UO95 SELF CONTAINED CUBE ICE MAKER



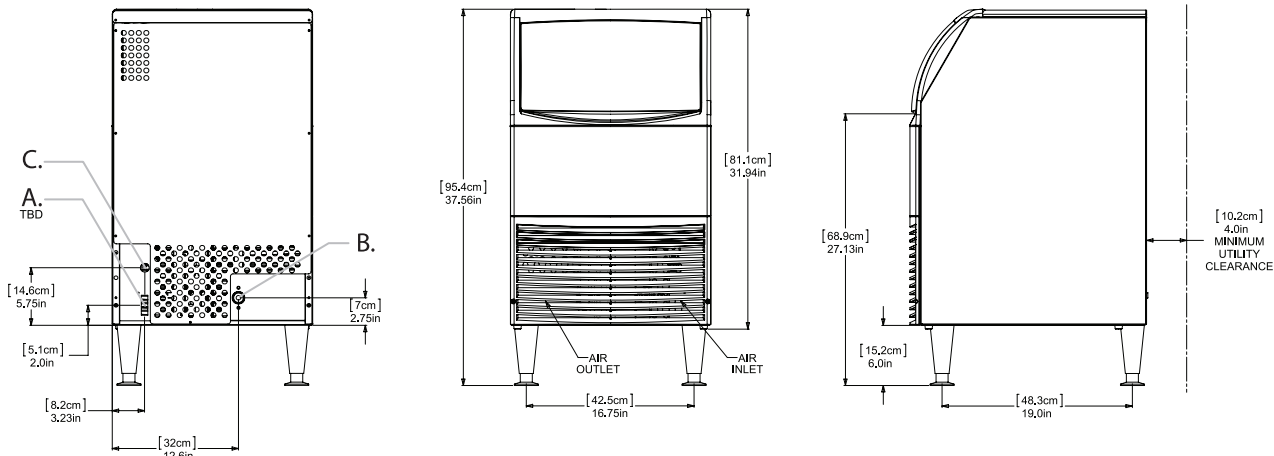
# HISUO90/UO96/U095 - SELF CONTAINED CUBE ICE MAKER



**Ice-O-Matic**  
Ice. Pure and Simple

## Air Cooled

A. Ice maker water in 3/8" FPT. (TBD) B. Bin and ice maker drain, 3/4" FPT. C. Electrical cord.



Back, Front & Side View

## Operating Requirements

	MINIMUM	MAXIMUM	
		60 Hz	50 Hz
Ambient Temp. Range Air	50°F (10°C)	100°F (38°C)	
Water Temp.	40°F (4.5°C)		
Water Pressure	15 PSIG (1.03 BAR)	80 PSIG (5.5 BAR)	

## Dimensions

ALL MODELS	
W x D x H (in.)	20 x 23.7 x 37.5
W x D x H (mm)	508 x 602 x 952.5

## Specifications

Model Number	Cond. Unit	Ice Production per 24hrs		Water Usage gallons per 100 lbs of Ice 90°F air/70°F water	Potable	kWH Used per 100 lbs of ice @ 90°F air/70°F water	Number of Wires	Voltage Characteristics	Min. Circuit Ampacity	Fuse Size	Approx. BTUs per hour**
		70°F air/ 50°F water lbs (kg)	90°F air/ 70°F water lbs (kg)								
HISUO90FA	Air	100 (45.4)	80 (36.3)	35 (132.5)		10	Cord connected	115/60	6.4	15	4,100
HISUO96FA								208-230/60	3.4		4,100
HISUO95FA								220-240/50	3.8		4,100

\*\*BTUH is calculated O°F Evaporator, 100°F Condensing, and 33 PSIG.

### NOTES:

Approx. Shipping Weight lbs (kg): All models 115 (52.2)

Refrigerant Type: R-134A

Included Items: Cord Set, Water inlet hose for 50hz and 230v 60hz or 5ft (1.52 m) length of 1/4" (6.35 mm) plastic tubing for 115v machines, Ice scoop, 6" legs

HISUO90/UO96/U095 SELF CONTAINED CUBE ICE MAKER

## MECHMAR (PTE) LTD

56 Kian Teck Road Singapore 628791 Tel: 6268 3048 Fax: 6261 4049  
E-mail: mechmar@singnet.com.sg Website: www.mechmar.com.sg