

Ice-O-Matic®

CD40022/40522 - Cube Ice Dispenser



CD40022 with ICE0320

Features

- Only 22" (559 mm) wide.
- Only 76 inches (1935 mm) tall with ICE Series machine
- ARI Storage 120 lbs (54 kg) of ice.
- *Turbo Dispense* dispenses ¼ lbs of ice per second.
- *Power Clean* allows access to the bin for easy cleaning without moving the ice machine. Interlock safety switch turns off machine agitation when top-front access panel is removed.
- 4" (102mm) foam insulation for maximum ice preservation – no more quick melting ice.
- Constructed from corrosion-resistant stainless steel and fingerprint-proof plastic.

Ice Production for Optional Cube Ice Makers

Pounds (Kilograms) per 24 hours

Model Type	ICE0320	ICE0325	ICE0520	ICE0525
Air-Cooled	334 (152)	301 (137)	520 (236)	559 (254)
Water-Cooled	349 (159)	n/a	527 (240)	n/a
Remote-Cooled	n/a	n/a	n/a	n/a
Voltage Char.	115/60/1	220-240/50/1	115/60/1	220-240/50/1

Tested at 70° Air/50° Water.

2. All specifications and performance data are subject to normal manufacturing variances.

Accessories

Model Number	Water Dispenser	Coin / Token Mechanisms	Both
CD40022	Yes	Yes	Yes

Ice Form



CUBED ICE

Full Cube	
W x D x H (in)	7/8 x 7/8 x 7/8
W x D x H (mm)	22 x 22 x 22
Half Cube	
W x D x H (in)	7/8 x 7/8 x 3/8
W x D x H (mm)	22 x 22 x 10

Space-Saving Solutions

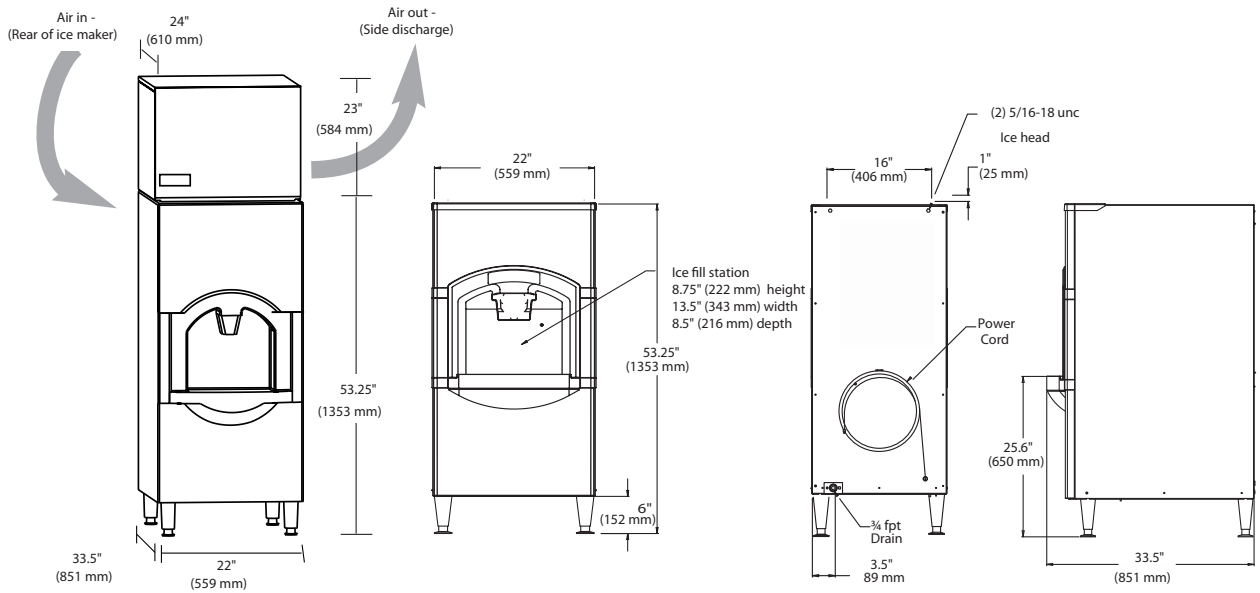
- Great for hard water, food safety and tight spaces.
- Ultra-low profile design.
- Maximum ice storage in a minimum amount of space.
- ARI Storage 120 lbs (54 kg) of ice.
- Only 22" (559 mm) wide.
- User friendly push-to-dispense operation.

CD40022/40522 cube Ice Dispenser



Ice-O-Matic®

CD40022/40522 Cube Ice Dispenser



Operating Requirements

	Minimum	Maximum
Ambient Temp. Range Air	50°F (10°C)	110°F (43°C)
Water Temp.	40°F (4.4°C)	100°F (38°C)
Water Pressure	20 PSIG (1.4 BAR)	60 PSIG (4.1 BAR)

Dimensions (dispenser only)

All Models	
W x D x H (inches)	22 x 33.5 x 53.25
W x D x H (mm)	559 x 851 x 1,353

Specifications

Model Number	Dispenser Operation	ARI Bin Storage lbs (kg)	Voltage Characteristics	Min. Circuit Ampacity
CD40022	Push	120 (55)	115/60/1	2.1
CD40522	Push	120 (55)	230/50/1	2.1

- Note #1: Model CD40022 and CD40522 dispensers accept all 22" ICE Series™ Cube Ice Makers
- Note #2: CD40022 and CD40522 Series units do not require an Adaptor and Bin Level Kit

NOTES:
 Number of Wires: 3 (including ground)
 Approx. Shipping Weight lbs (kg): 230 lbs (105 kg)
 Refrigerant Type: R404A